

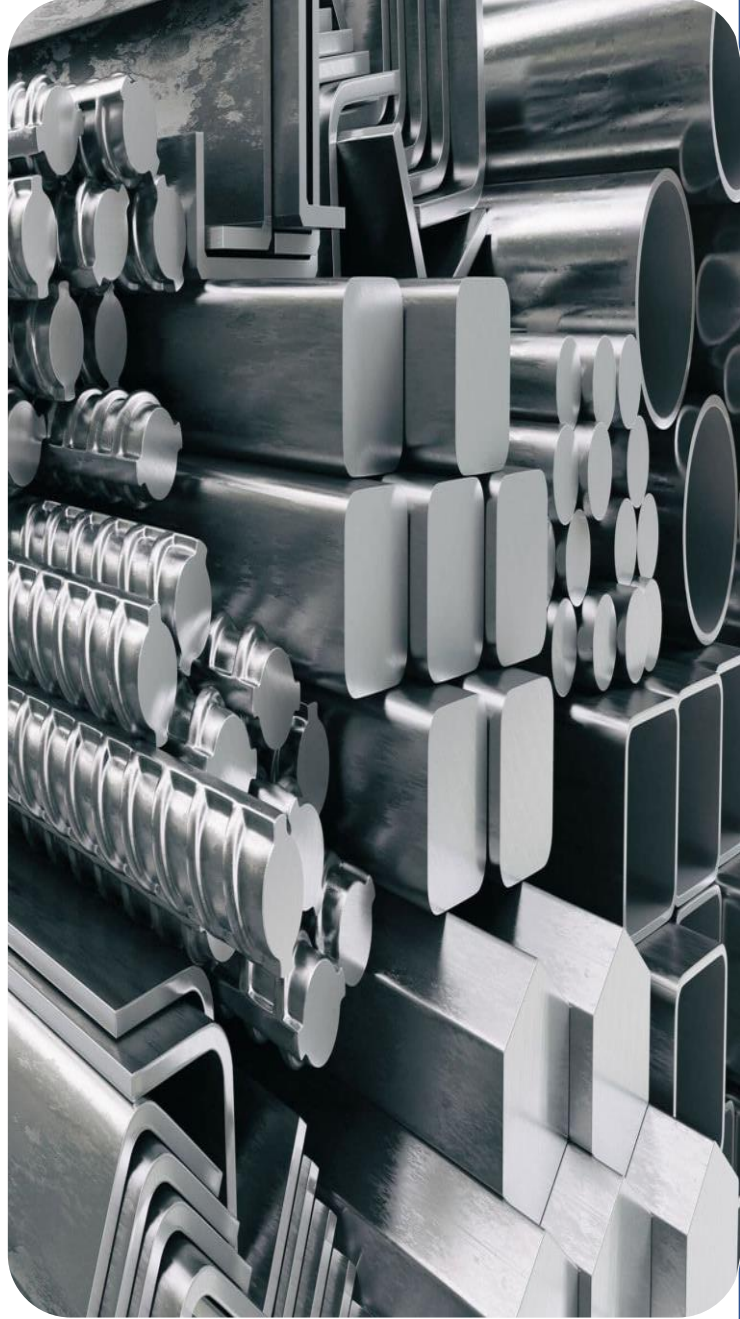


Aias Metal
Your Steel Provider

AIAS METAL A.Ş.

'Your Steel Provider'

Long Products Catalogue





- **About Us**

Page: 3

- **Services**

Page: 4

- **Product Range**

Page: 5-6

Reinforcement Steel Bar

Page: 6

Cold Drawn Reinforcement Bars

Page: 7

Equal Angles

Page: 8

Flat Bars

Page: 9

Square Bars

Page: 10

Round Bars

Page: 11

IPN Profiles (I Beam)

Page: 12

UPN Profiles (UAC & U Chanel)

Page: 13

IPE Profiles (I Beam)

Page: 14

H Beam (HEA & HEB)

Page: 15

Tee Profiles & Bars

Page: 16

Wire Rods

Page: 17

Wire Mesh/Galvanized Wire

Page 18

Nails

- **Quality Key**

Page: 19

- **Contact**

Page: 20



About Us

Aias Metal founded in Turkey, more than a decade expertise in global steel industry with our partners aim to build up trustworthy steel supply for our valued customers and partners. Total closed area over 10,000 meter square in different locations. Our team is dedicated to reach all over the world steel needs by serving certified goods. Leading in satisfactory service supply approved by our customers and established long term cooperation.





Production Range



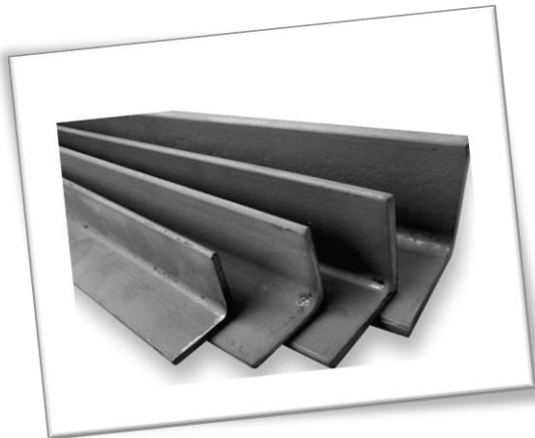
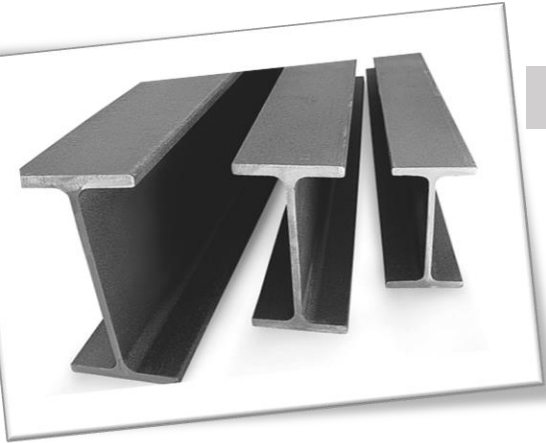
Production Capabilities

Dimensions & Weights

Minimum Bundle Weight	2 Tons
Minimum Length	5850 mm
Maximum Length	12000 mm
Packaging	4 straps per bundle
Strip Width	20 mm - 2000 mm

Available Thickness Range

Reinforcement Steel Bars	4 mm - 50 mm
Angle Bar	19 x 19 x 1,9 mm - 250 x 250 x 24
Flat Bar	10 x 2,8 mm - 250 x 50 mm
Square Bar	6,0 x 6,0 mm - 100 x 100 mm
Round Bar	6,0 mm - 120 mm
IPN	80 x 42 x 3,9 mm - 500 x 185 x 18 mm
UPN & UAC	30 x 15 x 3,0 mm - 400 x 110 x 18 mm
H Beams	98 x 100 x 5,0 mm - 590 x 300 x 13 mm
T Profile	20 x 20 x 3,0 mm - 120 x 120 x 13,0 mm
Wire Rods	5,5 mm - 16 mm
Wire Mesh	4,0 mm - 10,0 mm
Annealed Wire	1,10 mm - 6,0 mm
Steel Billet	130 x 130 mm - 200 x 200 mm



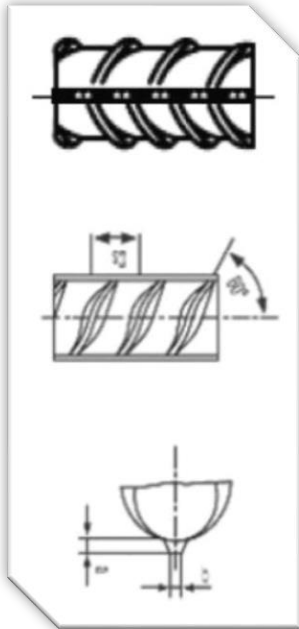


Reinforcement Steel Bars

Country	Standart	Grade	Chemical Composition (max.) %								Mechanical Properties (min.)			
			C	Mn	Si	P	S	N	Cu	CE	Yield Strength	Tensile Strength	Elongation %	
			Re : N/mm2		Rm : N/mm2									
TÜRKİYE	TS 708/2010	S 420	0,45			0,050	0,050					420 (42,8)-546 (55,69)	500 (51,0)	10 (Lo=5d)
		B 420B	0,22	0,05		0,050	0,050	0,012	0,80	0,50		420 (42,8)	Re x 1,08	12 (Lo=5d) // %Agt Min. 5
		B 420C (Sismik)	0,22	0,05		0,050	0,050	0,012	0,80	0,50		420 (42,8)-546 (55,69)	Re x 1,15	12 (Lo=5d) // %Agt Min. 7.5
		B 500B	0,22	0,05		0,050	0,050	0,012	0,80	0,50		500 (51,0)	Re x 1,08	12 (Lo=5d) // %Agt Min. 5
		B 500C	0,22	0,05		0,050	0,050	0,012	0,80	0,50	500 (51,0) - 650 (66.3)	Re x 1,15	12 (Lo=5d) // %Agt Min. 7.5	
ENGLAND	BS 4449: 1997	GR 250	0,25			0,060	0,060	0,012		0,42	250 (25,5)	Re x 1,15	22 (Lo= 5Xd)	
	BS 4449: 1997	GR 460	0,25			0,050	0,050	0,012		0,51	460 (46,92)	Re x 1,08	14 (Lo= 5Xd)	
	BS 4449: 2005	B500B	0,22			0,050	0,050	0,012	0,80	0,50	500 (51,0) - 650 (66.3)	Re x 1,08	Agt % : 5 (min)	
	BS 4449: 2005	B500C	0,22			0,050	0,050	0,012	0,80	0,50	500 (51,0) - 650 (66.3)	Re x 1,15	Agt % : 7.5 (min)	
JAPAN	JIS	SR 24				0,050	0,050				235 (24)	382-520 (39-53)	d < 25 d > 25	
	G 3112	SR 30				0,050	0,050				294 (30)	441-598 (45-61)	20 24	
	(1987-90)	SD 30A				0,050	0,050				294 (30)	441-598 (45-61)	18 20	
	1997	SD 30B	0,27	1,50	0,55	0,040	0,040				294-392 (35-40)	441 (45)	16 18	
		SD 35	0,27	1,60	0,55	0,040	0,040			0,55	343-441 (35-45)	490 (50)	18 20	
		SD 40	0,29	1,80	0,55	0,040	0,040			0,55	392-510 (40-52)	559 (57)	16 18	
	SD 50	0,32	1,80	0,55	0,040	0,040			0,60	490-528 (50-64)	618 (63)	12 14		
USA		GR 40				0,060	0,050				(40.000)Psi	(60.000)Psi	Bar No %	
											280 (28.6)	420 (42,84)	3 11	
													4, 5, 6, 7, 8 12	
		GR 60*				0,060	0,050				(60.000)Psi	(90.000)Psi	3, 4, 5, 6 9	
	ASTM										420 (42,8)	620 (63,3)	7, 8 8	
	A 615/09b												9,10,11 7	
	A 615M/09b	GR 75				0,060	0,050				(75.000)Psi	(100.000)Psi	3, 4, 5, 6, 7, 8 7	
											520 (53,04)	690 (70,38)	9,10,11,14 6	
	GR 80				0,060	0,050				(80.000)Psi	(105.000)Psi	3, 4, 5, 6, 7, 8 7		
										550 (56,1)	725 (73,95)	9,10,11,14 6		
USA	ASTM A 706/09b A 706M										(60000)Psi		Bar No %	
											420 (42,8)	(80000)Psi	3, 4, 5, 6 14	
		GR 60	0,30	1,50	0,50	0,035	0,045			0,55	(78000)Psi	550 (56,1)	7, 8, 9, 10, 11 12	
												540 (55,08)		14, 18 10
												(80000)Psi		Bar No %
		GR 80	0,30	1,50	0,50	0,035	0,045			0,55	(98000)Psi	690 (70,3)	7, 8, 9, 10, 11 12	
										675 (68,8)		14, 18 10		
FRANCE	NF A35-016 (1986)	FeE 400	0,22			0,050	0,050	0,012		0,50	400 (40,8)	440 (44,9)	14	
	NF A 35-016-1 (2009)	B500B	0,22			0,050	0,050	0,012	0,80	0,50	500 (51,0) - 650 (66.3)	Re x 1,08	Agt % : 5 (min)	
		B500B	0,22			0,050	0,050	0,012	0,60	0,50				
GERMANY	DIN 488 (2009)									(%Ceq (ds28))	500 (51,0) - 650 (66.3)	Re x 1,08	Agt % : 5 (min)	
										0,47				
SPAIN	UNE 36 068-94 (1996)	B 400 S	0,22			0,050	0,050	0,012		0,50	400 (40,8)	440 (44,9)	14 (Lo = 5xd)	
		B 500 S	0,22			0,050	0,050	0,012		0,50	500 (51,0)	550 (56,1)	12 (Lo = 5xd)/Agt%:5	
	UNE 36 065-2000	B 500 SD	0,22			0,050	0,050	0,012		0,50	500 (51,0)	575 (58,65)	16 (Lo = 5xd)	
	SISMIK										Re real/Re nominal <=1,25		Agt % : 8 (min)	
ISRAEL	SI 4466 PART 3	S 400	0,38			0,050	0,050			0,60	400 (40,8) - 520 (53.1)	500 (51)	12 (Lo = 10xd)	
		S 400W	0,24			0,050	0,050			0,55	400 (40,8) - 520 (53.1)	500 (51)	12 (Lo = 10xd)	
CHILE		A440-280H									280 (28,56)	440,000	16	
	Nch 204-2006	A560-380H									350,000	560,000	8	
		A630-420H									420-580	630,000	8	



Reinforcement Steel Bars



Hot Rolled Deformed Reinforcement Steel Bars		
	Theoretical	Theoretical
Thickness(mm)	Weight(Kg/Mtr)	Cross Section(cm2)
8	0,395	0,502
10	0,616	0,785
12	0,888	1,130
14	1,209	1,539
16	1,579	2,010
18	2,000	2,543
20	2,466	3,140
22	2,984	3,799
25	3,852	4,906
28	4,832	6,154
32	6,310	8,038
40	9,860	12,560
50	15,410	19,625

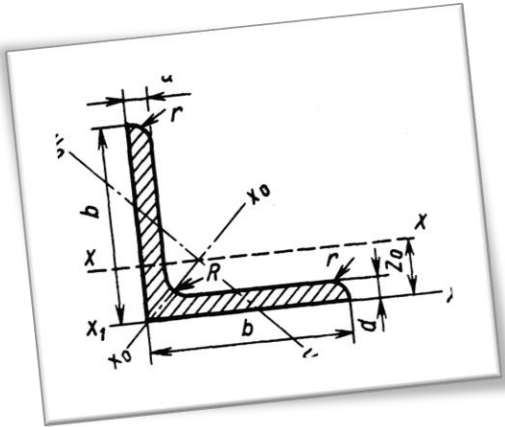
Cold Drawn Reinforcement Steel Bars		
Thickness(mm)	Weight(Kg/Mtr)	Cross Section(cm2)
4	0,099	0,126
4,5	0,125	0,159
5	0,155	0,196
5,5	0,187	0,237
6	0,220	0,283
7	0,303	0,385
7,5	0,347	0,442
9	0,500	0,636

Reinforcement Steel Bars / Rond A Beton		
Thickness(Inch)	Weight(Lbs/Ft)	Cross Section (square foot)
3/8	0,380	0,000767
4/8	0,670	0,001364
5/8	1,040	0,002131
6/8	1,500	0,003068
7/8	2,040	0,004176
8/8	2,670	0,005454
9/8	3,400	0,006903
10/8	4,300	0,008522



Equal Angles

Rolling Tolerance	
EN	10024
DIN	1025/1
Qualities	
S235JR	St 37.2
S275JR	St 44.2
S355JR	St 52.2
ASTM	A36
ASTM	A572

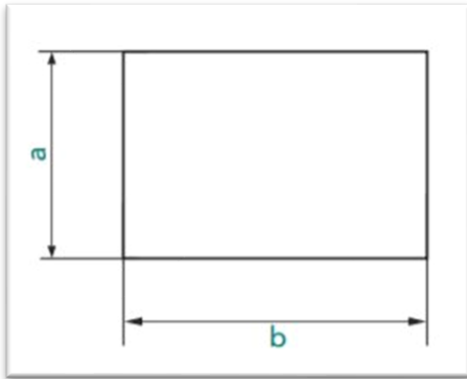
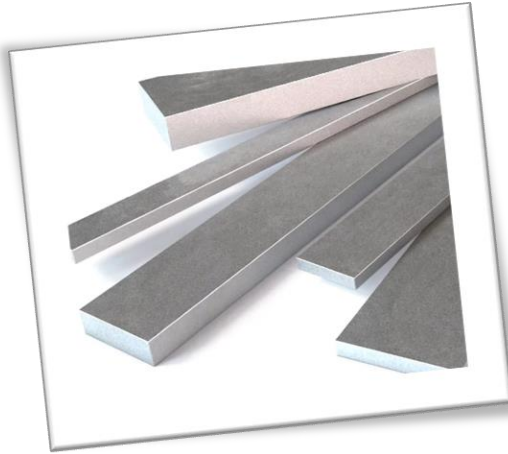


Dimensions (mm)	Weight (kg/m)	Dimensions (mm)	Weight (kg/m)
19 x 19 x 1,9	0,54	65 x 65 x 7	6,83
20 x 20 x 3	0,88	70 x 70 x 7	7,38
25 x 25 x 2,5	0,94	75 x 75 x 5	5,76
25 x 25 x 3	1,11	80 x 80 x 6	7,34
25 x 25 x 4	1,45	80 x 80 x 7	8,49
30 x 30 x 2,5	1,15	80 x 80 x 8	9,63
30 x 30 x 3	1,36	80 x 80 x 9	10,75
30 x 30 x 4	1,78	90 x 90 x 8	10,90
30 x 30 x 5	2,18	90 x 90 x 9	12,18
35 x 35 x 2,5	1,15	100 x 100 x 8	12,18
35 x 35 x 3	1,60	100 x 100 x 10	15,04
35 x 35 x 4	2,09	120 x 120 x 10	18,20
35 x 35 x 5	2,57	120 x 120 x 12	21,62
40 x 40 x 3	1,84	130 x 130 x 12	23,60
40 x 40 x 4	2,42	130 x 130 x 14	27,20
40 x 40 x 5	2,97	150 x 150 x 12	27,30
45 x 45 x 3	2,10	150 x 150 x 15	33,80
45 x 45 x 4	2,75	160 x 160 x 15	36,20
45 x 45 x 5	3,39	180 x 180 x 18	48,60
50 x 50 x 3	2,33	180 x 180 x 20	53,70
50 x 50 x 4	3,06	200 x 200 x 16	48,50
50 x 50 x 5	3,77	200 x 200 x 20	59,90
50 x 50 x 6	4,47	200 x 200 x 24	71,10
60 x 60 x 4	3,70	250 x 250 x 20	75,60
60 x 60 x 6	5,42	250 x 250 x 24	90,00



Flat Bars

Rolling Tolerance	
EN	10024
DIN	1025/1
Qualities	
S235JR	St 37.2
S275JR	St 44.2
S355JR	St 52.2
ASTM	A36
ASTM	A572

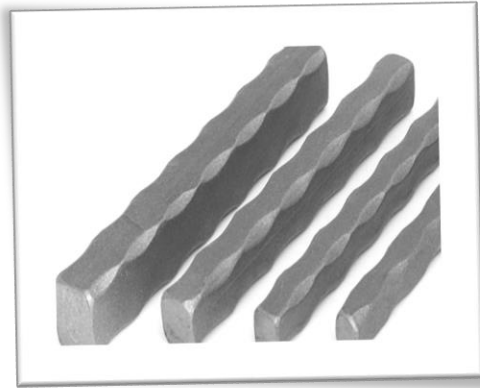


Dimensions (mm)	Weight (Kg/mtr)	Dimensions (mm)	Weight (Kg/mtr)
10x2,8	0,220	40x12	3,768
10x3,0	0,236	45x12	4,239
11x2,8	0,242	50x10	3,925
11x3,0	0,259	50x12	4,710
12x3	0,283	50x16	6,280
14x3	0,330	50x20	7,850
18x3	0,424	60x10	4,710
20x3	0,471	75x10	5,888
20x5	0,785	100x10	7,850
25x5	0,981	110x10	8,635
30x5	1,178	115x10	9,028
35x5	1,374	120x10	9,420
40x5	1,570	120x12	11,304
50x5	1,973	125x10	9,813
60x5	2,355	125x12	11,775
70x5	2,748	130x10	10,205
80x5	3,140	130x12	12,246
100x5	3,925	160x10	12,560
20x10	1,570	200x10	15,700
25x10	1,963	225x10	17,663
30x10	2,355	225x50	88,313
35x10	2,748	250x30	58,875
40x10	3,140	250x50	98,125



Square Bars

Rolling Tolerance	
EN	10024
DIN	1025/1
Qualities	
S235JR	St 37.2
S275JR	St 44.2
S355JR	St 52.2
ASTM	A36
ASTM	A572



Dimensions (mm)	Weight (Kg/mtr)	Dimensions (mm)	Weight (Kg/mtr)
6	0,283	19	2,834
6,5	0,332	20	3,140
7	0,385	22	3,799
7,5	0,442	25	4,906
8	0,502	30	7,065
8,5	0,567	32	8,038
9	0,636	35	9,616
9,5	0,708	40	12,560
10	0,785	45	15,896
10,5	0,865	50	19,625
11	0,950	55	23,746
11,5	1,038	60	28,260
12	1,130	65	33,166
13	1,327	70	38,465
14	1,539	75	44,156
15	1,766	80	50,240
16	2,010	85	56,716
17	2,269	90	63,585
18	2,543	100	78,500

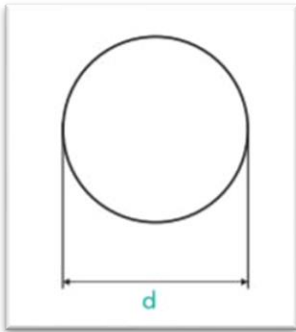
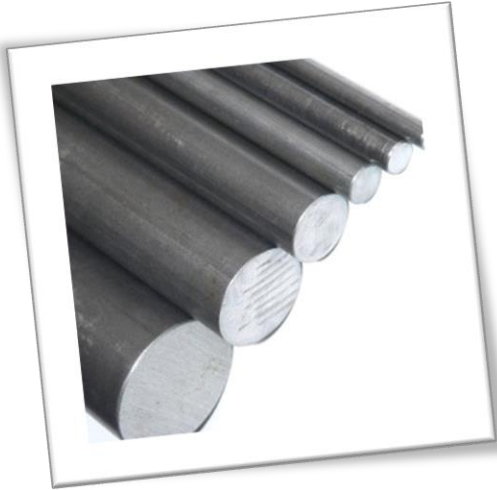
Dimensions (mm)	Weight (Kg/mtr)	Dimensions (mm)	Weight (Kg/mtr)
10	0,785	14	1,539
11,5	1,038	16	2,010
12	1,130	20	3,140



Round Bars

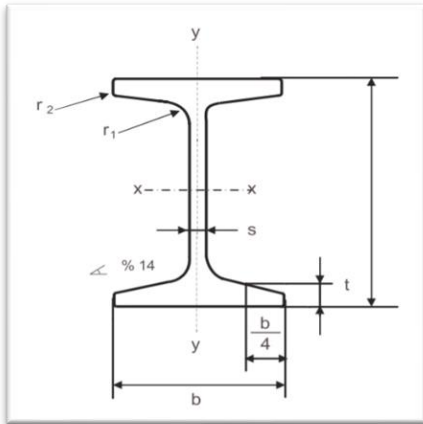
Rolling Tolerance	
EN	10024
DIN	1025/1
Qualities	
S235JR	St 37.2
S275JR	St 44.2
S355JR	St 52.2
ASTM	A36
ASTM	A572

Dimensions (mm)	Weight (Kg/mtr)	Dimensions (mm)	Weight (Kg/mtr)
6	0,222	34	7,124
7	0,302	36	7,986
7,5	0,347	38	8,898
8	0,394	40	9,860
9	0,499	42	10,870
10	0,616	44	11,930
11	0,746	46	13,039
12	0,887	48	14,198
14	1,208	50	15,406
16	1,578	55	18,641
18	1,997	60	22,184
20	2,465	65	26,036
22	2,983	70	30,195
24	3,549	75	34,663
25	3,851	80	39,438
26	4,166	90	49,914
28	4,831	100	61,623
30	5,546	110	74,563
32	6,310	120	88,736

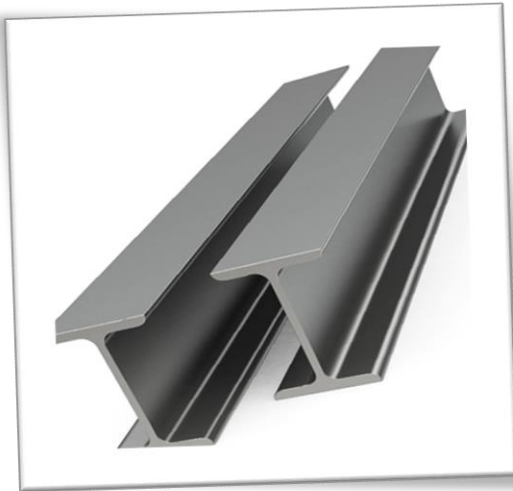




Rolling Tolerance	
EN	10024
DIN	1025/1
Qualities	
S235JR	St 37.2
S275JR	St 44.2
S355JR	St 52.2
ASTM	A36
ASTM	A572



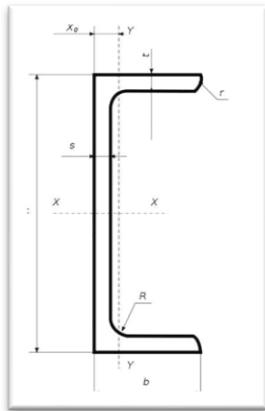
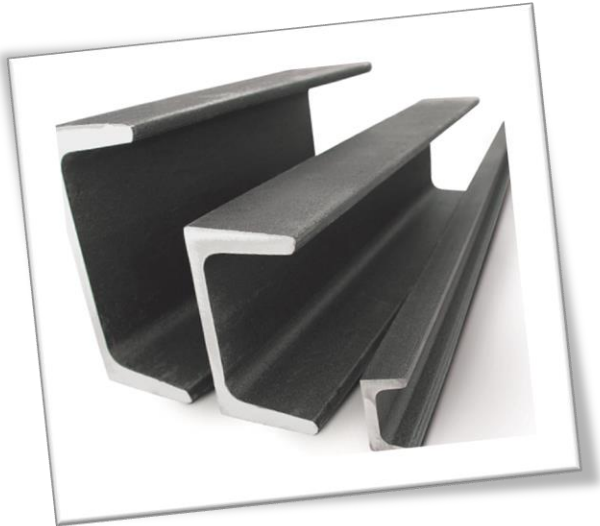
#	Dimensions (mm)	Weight (Kg/mtr)
IPN 80	80 x 42 x 3,9	5,950
IPN 100	100 x 50 x 4,5	8,320
IPN 120	120 x 58 x 5,1	11,200
IPN 140	140 x 66 x 5,7	14,347
IPN 160	160 x 74 x 6,3	17,900
IPN 180	180 x 82 x 6,9	21,900
IPN 200	200 x 90 x 7,5	26,200
IPN 220	220 x 98 x 8,1	31,100
IPN 240	240 x 106 x 8,7	36,200
IPN 260	260 x 113 x 9,4	41,900
IPN 280	280 x 119 x 10,1	47,900
IPN 300	300 x 125 x 10,8	54,200
IPN 320	320 x 131 x 11,5	61,000
IPN 340	340 x 137 x 12,2	68,000
IPN 360	360 x 143 x 13,0	76,100
IPN 380	380 x 149 x 13,7	84,000
IPN 400	400 x 155 x 14,4	92,400
IPN 450	450 x 170 x 16,2	115,000
IPN 500	500 x 185 x 18,0	141,000





UPN Profiles (U Chanel)

Rolling Tolerance	
EN	10024
DIN	1025/1
Qualities	
S235JR	St 37.2
S275JR	St 44.2
S355JR	St 52.2
ASTM	A36
ASTM	A572



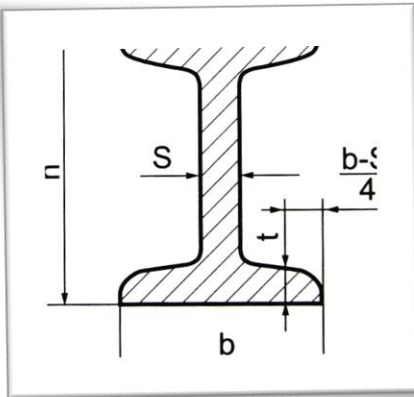
#	Dimensions (mm)	Weight (Kg/mtr)
UPN 30	30 x 15 x 3	1,47
UPN 30	30 x 15 x 4	1,70
UPN 35	35 x 17,4 x 3	1,84
UPN 35	35 x 17,4 x 4	2,04
UPN 40	40 x 20 x 3	2,04
UPN 40	40 x 20 x 5	2,87
UPN 50	50 x 25 x 3	3,00
UPN 50	50 x 25 x 5	3,86
UPN 50	50 x 38 x 5	5,56
UPN 60	60 x 30 x 3,5	3,90
UPN 60	60 x 30 x 6	5,00
UPN 65	65 x 42 x 5,5	7,09
UPN 80	80 x 45 x 6	8,64
UPN 100	100 x 50 x 6	10,60
UPN 120	120 x 55 x 7	13,40
UPN 140	140 x 60 x 7	16,00
UPN 160	160 x 65 x 7,5	18,80
UPN 180	180 x 70 x 8	22,00
UPN 200	200 x 75 x 8,5	25,30
UPN 220	220 x 80 x 9,0	29,40
UPN 240	240 x 85 x 9,5	33,20
UPN 260	260 x 90 x 10	37,90
UPN 280	280 x 95 x 10	41,80
UPN 300	300 x 100 x 10	46,20
UPN 320	320 x 120 x 14	59,50
UPN 350	350 x 100 x 14	60,60
UPN 380	380 x 102 x 13,5	63,10
UPN 400	400 x 110 x 14	71,80



IPE Profiles (I Beams)

Rolling Tolerance	
EN	10024
DIN	1025/1
Qualities	
S235JR	St 37.2
S275JR	St 44.2
S355JR	St 52.2
ASTM	A36
ASTM	A572

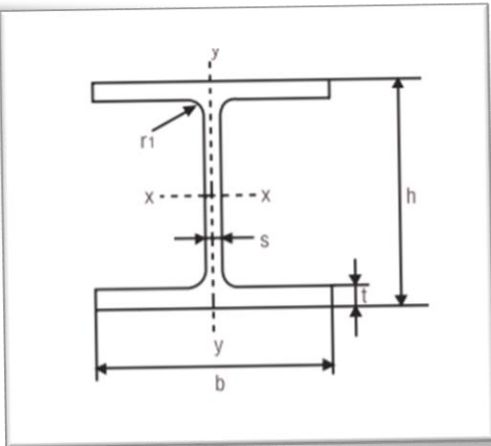
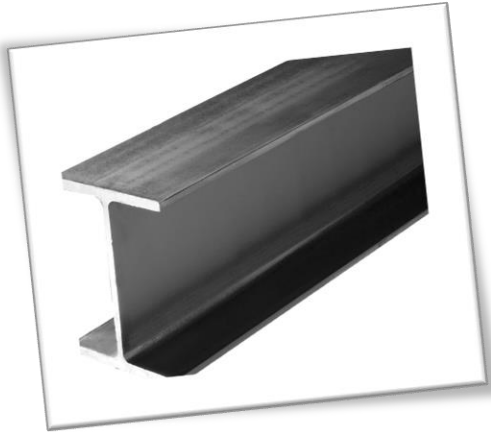
#	Dimensions (mm)	Weight (Kg/mtr)
IPE 80	80 x 46 x 3,8	6,00
IPEA 80	78 x 46 x 3,3	5,00
IPEAA 80	78 x 46 x 3,2	4,90
IPEAAA 80	78 x 46 x 3	4,75
IPEAAAA 80	78 x 46 x 2,5	3,92
IPE 100	100 x 55 x 4,1	8,10
IPEA 100	98 x 55 x 3,6	6,90
IPEAA 100	97,6 x 55 x 3,6	6,70
IPEAAA 100	97 x 55 x 3,5	6,60
IPEAAAA 100	97,6 x 55 x 2,8	5,39
IPE 120	120 x 64 x 4,4	10,40
IPEA 120	117,6 x 64 x 3,8	8,70
IPEAA 120	117 x 64 x 3,8	8,4
IPEAAA 120	117 x 64 x 3,3	8,30
IPEAAAA 120	117 x 64 x 3	6,92
IPE 140	140 x 73 x 4,7	12,9
IPEA 140	137,4 x 73 x 3,8	10,5
IPEAA 140	136,6 x 73 x 3,8	10,1
IPEAAA 140	136 x 73 x 3,2	8,80
IPEAAAA 140	136 x 73 x 3,2	8,00
IPE 160	160 x 82 x 5	15,80
IPEA 160	157 x 82 x 4	12,70
IPEAA 160	156,4 x 82 x 4	12,10
IPEAAA 160	156,4 x 82 x 3,7	11,95
IPE 180	180 x 91 x 5,3	18,80
IPEA 180	177 x 91 x 4,3	15,40
IPE 200	200 x 100 x 5,6	22,40
IPEA 200	197 x 100 x 4,5	18,40
IPE 220	220 x 110 x 5,9	26,20
IPEA 220	217 x 110 x 5,0	22,20
IPE 240	240 x 120 x 6,2	30,70
IPEA 240	237 x 120 x 5,2	26,20
IPE 270	270 x 135 x 6,6	36,10
IPEA 270	267 x 135 x 5,5	30,70
IPE 300	297 x 150 x 6,1	36,50
IPEA 300	327 x 160 x 6,5	43,00
IPE 330	330 x 160 x 7,5	49,10
IPE 360	360 x 170 x 8,0	57,10
IPE 400	400 x 180 x 8,6	66,30
IPE 450	450 x 190 x 9,4	77,60
IPE 500	500 x 200 x 10,2	90,70
IPE 600	600 x 220 x 12,0	122,00





H Beams & Profiles

Rolling Tolerance	
EN	10024
DIN	1025/1
Qualities	
S235JR	St 37.2
S275JR	St 44.2
S355JR	St 52.2
ASTM	A36
ASTM	A572



#	Dimensions (mm)	Weight (Kg/mtr)
HEA 100	96 x 100 x 5	16,7
HEA 120	114 x 120 x 5	19,9
HEA 140	133 x 140 x 5,5	24,7
HEA 160	152 x 160 x 6	30,4
HEA 180	171 x 180 x 6	35,5
HEA 200	190 x 200 x 6,5	42,3
HEA 220	210 x 220 x 7	50,5
HEA 240	230 x 240 x 7,5	60,3
HEA 260	250 x 260 x 7,5	68,2
HEA 280	270 x 280 x 8	76,4
HEA 300	290 x 300 x 8,5	88,3
HEA 320	310 x 300 x 9	97,6
HEA 340	330 x 300 x 9,5	105,0
HEA 360	350 x 300 x 10	112,0
HEA 400	390 x 300 x 11	125,0
HEA 450	440 x 300 x 11,5	140,0
HEA 500	490 x 300 x 12	155,0
HEA 550	540 x 300 x 12,5	166,0
HEA 600	590 x 300 x 13	178,0

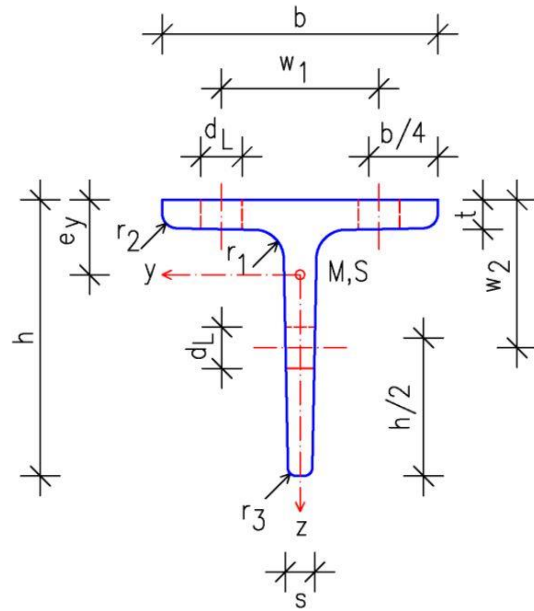
#	Dimensions (mm)	Weight (Kg/mtr)
HEB 100	100 x 100 x 6	20,4
HEB 120	120 x 120 x 6,5	26,7
HEB 140	140 x 140 x 7	33,7
HEB 160	160 x 160 x 8	42,6
HEB 180	180 x 180 x 8,5	51,2
HEB 200	200 x 200 x 9	61,3
HEB 220	220 x 220 x 9,5	71,5
HEB 240	240 x 240 x 10	83,2
HEB 260	260 x 260 x 10	93,0
HEB 280	280 x 280 x 10,5	103,0
HEB 300	300 x 300 x 11	117,0
HEB 320	320 x 300 x 11,5	127,0
HEB 340	340 x 300 x 12	134,0
HEB 360	360 x 300 x 12,5	142,0
HEB 400	400 x 300 x 13,5	155,0
HEB 450	450 x 300 x 14	171,0
HEB 500	500 x 300 x 14,5	187,0
HEB 550	550 x 300 x 15	199,0
HEB 600	600 x 300 x 15,5	212,0



Tee Profiles & Bars

Rolling Tolerance	
EN	10024
DIN	1025/1
Qualities	
S235JR	St 37.2
S275JR	St 44.2
S355JR	St 52.2
ASTM	A36
ASTM	A572

#	Dimensions (mm)	Weight (Kg/mtr)
T 20	20 x 20 x 3,0	0,88
T 25	24 x 24 x 2,7	1,04
T 30	29 x 29 x 2,7	1,19
T 35	34 x 24 x 2,7	1,43
T 40	40 x 40 x 4,0	2,80
T 40	40 x 40 x 5,0	2,96
T 50	50 x 50 x 5,0	3,72
T 50	50 x 50 x 6,0	4,40
T 60	60 x 60 x 7	6,23
T 70	70 x 70 x 8	8,32
T 80	80 x 80 x 9	10,70
T 90	90 x 90 x 10	13,40
T 100	100 x 100 x 11	16,40
T 120	120 x 120 x 13	23,20





	Available Size: 5,5 mm -16,0 mm		% C	% Si	% Mn	% P	% S	% Cr	%Mo
			Between	max.	Between	max.	max.	max.	max.
Carbon Steels	C7D	AISI 1006	0,08 max	0,30 max	0,30-0,45	0,025	0,025	0,20	0,05
	C9D	AISI 1008	0.10 max	0.30 max	0,30-0.50	0,025	0,025	0,20	0,05
	C10D	AISI 1010	0.08-0.13	0.30 max	0.30-0.60	0,025	0,025	0,20	0,05
	C12D	AISI 1012	0.10-0.15	0.30 max	0.30-0.60	0,025	0,025	0,20	0,05
	C15D	AISI 1015	0.12-0.17	0.30 max	0.30-0.60	0,025	0,025	0,20	0,05
	C18D	AISI 1017	0.15-0.20	0.30 max	0.30-0.60	0,025	0,025	0,20	0,05
	C20D	AISI 1020	0.18-0.23	0.30 max	0.30-0.60	0,025	0,025	0,20	0,05
	C26D	AISI 1025	0.24-0.29	0.30 max	0.50-0.80	0,025	0,025	0,20	0,05
				% C	% Si	% Mn	% P	% S	% Cr
Welding Qualities	DIN	AWS Std.	Between	max.	Between	max.	max.	max.	max.
	S1	EL12	0.06-0.09	0.05 max	0.40-0.60	0,015	0,015	0,1	0,03
	S2	EM12	0.07-0.10	0.10 max	0.80-1.20	0,015	0,015	0,1	0,03
	SG1	ER70S-3	0.06-0.09	0.50-0.70	1.00-1.30	0,015	0,015	0,1	0,03
	SG2	ER70S-6	0.06-0.09	0.80-0.90	1.40-1.55	0,015	0,015	0,1	0,03
	SG3	ER70S-6	0.06-0.09	0.80-1.00	1.60-1.75	0,015	0,015	0,1	0,03
			% C	% Si	% Mn	% P	% S	% Cr	%Mo
Cold Heading and Extrusion Qualities	DIN	AWS Std.	Between	max.	Between	max.	max.	max.	max.
	17MnB4	10B17	0.15-0.20	0.30	0.90-1.20	0,02	0,02	-	0,08
	20MnB4	10B20	0.18-0.23	0.30	0.90-1.20	0,02	0,02	-	0,08
	23MnB4	10B23	0.25-0.30	0.15-0.30	0.90-1.20	0,02	0,02	0,10-0,3	0,08
	27MnB4	10B26	0.27-0.32	0.30	0.95-1.15	0,02	0,025	0,15-0,30	0,08
	30MnB4	10B30	0.27-0.32	0.30	0.80-1.10	0,02	0,025	0,15-0,30	0,08





Wire Mesh

Quality	Available Thickness (mm)	Cell Dimension (mm)	Mesh Width(mm)	Mesh Length(mm)	Yield Strength (Mpa)	Tensile Strength (Mpa)	Elongation %
SAE 1006/ SAE 1008	4,00 - 10,00	50 - 400	750-2200	2200 - 9000	500	550	5-8



Type	Qualities	Available Thickness (mm)
Spring Wires	SAE 1045/1060/1070	1,40 - 4,00
Black Wire	SAE 1006/1008/1010/1018	1,20 - 8,00
Bright Wire	SAE 1006/1008/1010/1018	2,50 - 6,00
Galvanized Wire	SAE 1006/1008/1010/1018	1,00 - 8,00
Armouring Wire	SAE 1006/1008/1010/1045	0,80 - 6,50
Cold Drawn Wire	High/Low Carbon Steel	0,75 - 10,0
PVC Coated Wire	Low Carbon Steel	3,00 - 4,50
Annealed Wire	Low Carbon Steel	1,10 - 6,00
Barbed Wire	IOWA/IOWA Classic	1,70 - 2,00
Chain Link Fence (Zinc)	Low Carbon Steel	2,00 - 3,00



Construction Nails

Quality	Diameter (mm)	Top Diameter (mm)	Length(mm)	Package (Kg)
SAE 1006 / SAE 1008 / SAE 1010	2,3	5	30	25
SAE 1006 / SAE 1008 / SAE 1010	2,5	5	40	25
SAE 1006 / SAE 1008 / SAE 1010	2,5	5	50	25
SAE 1006 / SAE 1008 / SAE 1010	2,8	6	60	25
SAE 1006 / SAE 1008 / SAE 1010	3	7	70	25
SAE 1006 / SAE 1008 / SAE 1010	3,5	8	80	25
SAE 1006 / SAE 1008 / SAE 1010	4	8,5	100	25
SAE 1006 / SAE 1008 / SAE 1010	4,5	9	120	25
SAE 1006 / SAE 1008 / SAE 1010	5	9	150	25
SAE 1006 / SAE 1008 / SAE 1010	5,8	12	180	25

Wire Nails

Quality	Diameter (mm)	Top Diameter (mm)	Length(mm)	Package (Kg)
SAE 1006 / SAE 1008 / SAE 1010	1,5	4	25	25
SAE 1006 / SAE 1008 / SAE 1010	1,5	4	28	25
SAE 1006 / SAE 1008 / SAE 1010	1,55	4	30	25
SAE 1006 / SAE 1008 / SAE 1010	1,55	4	35	25
SAE 1006 / SAE 1008 / SAE 1010	1,85	4,2	40	25
SAE 1006 / SAE 1008 / SAE 1010	2	4,2	50	25



Concrete Nails

Quality	Diameter (mm)	Length(mm)	Package (Kg)
SAE 1008 / SAE 1010	3	30	25
SAE 1008 / SAE 1010	4	40	25
SAE 1008 / SAE 1010	4	50	25
SAE 1008 / SAE 1010	4	60	25
SAE 1008 / SAE 1010	5	70	25
SAE 1008 / SAE 1010	5	80	25
SAE 1008 / SAE 1010	5	100	25
SAE 1008 / SAE 1010	5	120	25



European Norm	Italian UNI	German DIN	ASTM - SAE	French NF	Japan JIS
C10	C10	CK10	SAE1010	-	-
C12	C12	CK12	SAE1012	-	-
C15	C15	CK15	SAE1015	-	-
C20	C20	CK20	SAE1020	-	-
C30	-	-	SAE1030	-	-
-	-	28Mn6	SAE1527	-	-
S235JR	FE360B	ST37-2	SAE1015	E24-2	SM400A
S275JR	FE430B	ST44-2	SAE1020	E28-2	-
E295	FEE290	ST50-2	-	A50-2	-
E355	FEE355KGTM	STE355TM	A572 Gr. C	E355R	-
S235JR(Cu)	FE360B(Cu)	ST37-2(Cu)	SAE1015(Cu)	E24-2(Cu)	SM400A(Cu)
S315MC	FEE315	QSTE300TM	045XLK	E315D	SPFH490
S355MC	FEE355	QSTE360TM	GR50	E355D	SPFH540
S420MC	FEE420	QSTE420TM	GR60	E420D	SPFH590
S460MC	FEE460	QSTE460TM	GR65	E445D	-
S500MC	FEE490	QSTE500TM	GR70	E490D	-
C35E	C35	CK35	SAE1035	XC38	S35C
C40E	C40	CK40	SAE1040	XC42	S40C
C45E	C45	CK45	SAE1045	XC48	S45C
C50	C50	CK50	SAE1050	-	S50C
C60E	C60	CK60	SAE1060	-	S58C
C70E	C70	CK70	SAE1070	XC70	S70C
C80E	C80	CK80	SAE1080	XC80	S80C
-	-	-	SAE1006	-	-
-	-	-	SAE1018	-	-
S355JR	FE510B	-	A633 Gr. A,C,D	E36-2	SM490A
S235J2	-	-	A36	-	-
C55E	-	CK55	SAE1055	XC55	S55C
42CrMo4	42CrMo4	42CrMo4	SAE4142	42CD4	SCM440H
34CrNiMo6	34CrNiMo6	34CrNiMo6	SAE4340	-	SNCM447
S550MC	FEE560	OSTE550TM	GR80	E560D	-
S460M	-	-	GR65	-	SM570
C45E	C45	CK45	SAE1042-1045	XC48	S45C
S235J0	FE360C	ST37-3U	-	E24-3	SM400B
S275J0	FE430C	ST44-3U	A572 Gr. 42	E28-3	-
S235J2(+N)	FE360D	ST37-3N	A284 Gr. D	E24-4	SM400C
S275J2(+N)	FE430D	ST44-3N	A572 Gr. 42,50	E28-4	-
S355J0	FE510D	ST52-3N	A572 Gr. 50	E36-3	SM490C



Aias Metal
Your Steel Provider

Contact



Aias Metal
Your Steel Provider

Address: Altınşehir Mahallesi 229.Sokak No:42
Nilüfer-BURSA / TÜRKİYE PK:16120
T: +90 224 413 00 09
Email: info@aiasmetal.com

